



Recess mounting

**LED** exit signs  
BY MARAHRENS



Surface mounting

# Escape route & emergency sign

The escape route and emergency signs **by Marahrens** distinguish themselves through an elegant, flat construction. The utilised materials meet the highest requirements. Homogeneous illumination without glare with individually customisable motifs complement the overall high-quality impression. **The signs are available as single or double-sided versions.**

Thanks to its design, our signs are especially suitable for refits and mounting on ceilings and walls. The high variability of the materials and widths ensure a consistently uniform overall impression of the compulsory escape and emergency route signage.

**Custom  
sizes on  
request!**





Recess mounting

**Visible surface of the illuminated sign:** 370 x 73 mm

Emergency EXIT



Surface mounting

**Visible surface of the illuminated sign:** 370 x 73 mm

EXIT

# Recess mounting

## Homogeneous illumination in an elegant, flat construction

The sign can be inserted or removed from the preassembled body with an **integrated click mechanism 1**. This system makes it possible to install the base body at an early stage. The subsequent sign insertion prevents possible damage during the construction phase.



### Quick assembly on site

The base body (including the cover) is quickly and easily mounted on site in the existing ceiling cut-out with 4 fixing screws **2** (not included in the delivery).

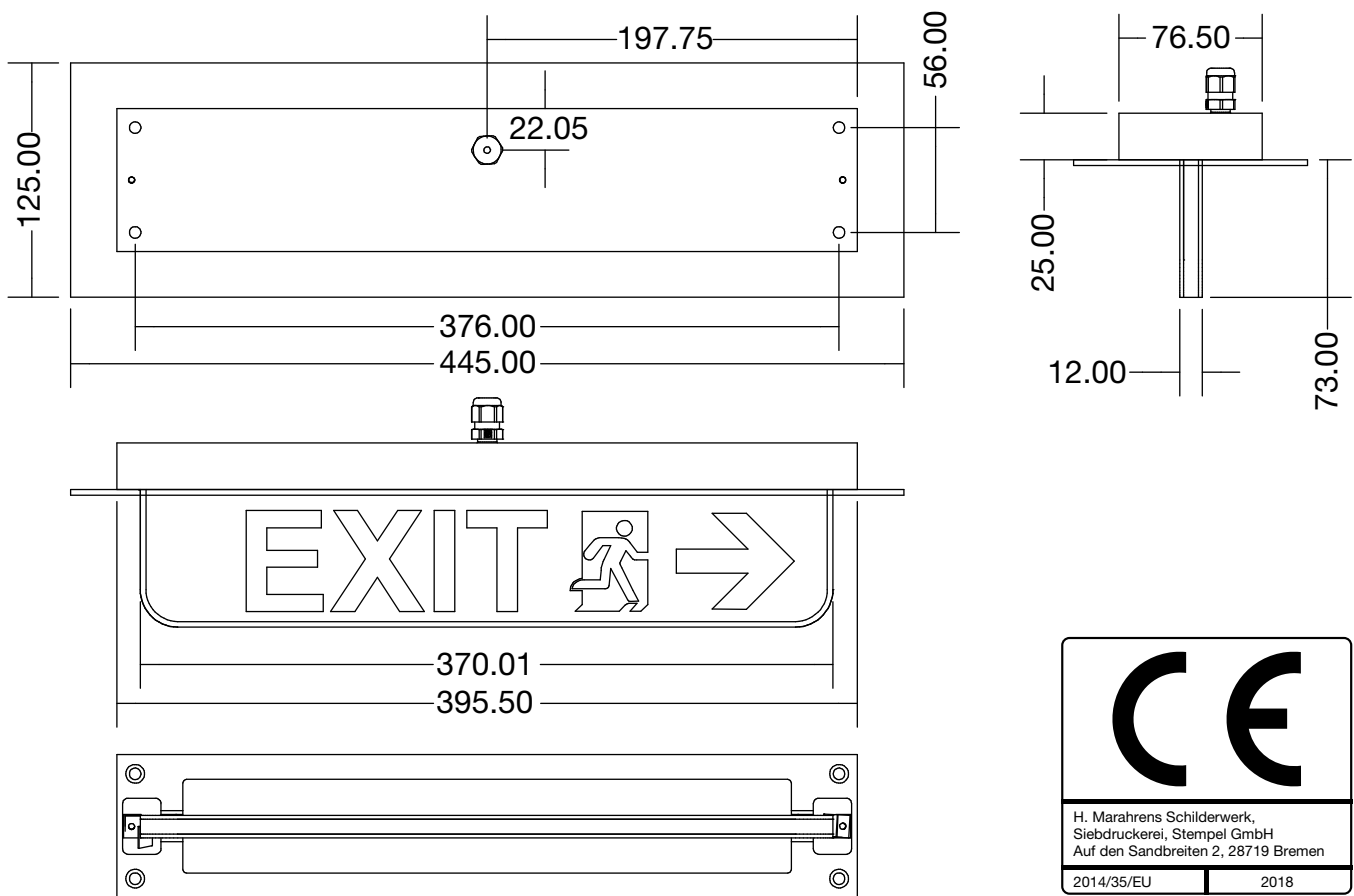


### Materials

The slim design of the lid is available in the following material versions. Anodised aluminum with a brushed stainless steel look, aluminum powder coated according to RAL color scale as stainless steel in V4A brushed as well as V2A chromed.

**Further pictograms are also available.**

# Technical specifications



Casing	
<b>Description</b>	High-quality escape sign with flat installation depth
<b>Basic body</b>	PVC
<b>Cover finishes</b>	brushed anodised stainless steel look [ca. 1370 g] powdered acc. to RAL color scale [ca. 1370 g] Stainless steel brushed [ca. 1560 g] Stainless steel chromed [ca. 1560 g]
<b>Dimensions</b>	445 x 125 x 100 mm (Visible size) 400 x 80 x 28 mm (Built-in depth) Visible surface of illuminated sign: 370 x 73 mm
<b>Power connection</b>	230 V 50/60 Hz (Connectors acc. to customer requirements at extra charge)
<b>Protection classes</b>	Certification for IP 22 - IP 67

Illumination	
<b>Light source</b>	1300-100396 - 15 LED/Stripe
<b>Light output</b>	370 lm (measured at the LED strip)
<b>Light color</b>	6000 - 7000 K
<b>LED type</b>	LED Rigid board
<b>Energy efficiency class</b>	A
<b>Power consumption / LED</b>	max. 4 W
<b>Average lifespan</b>	30.000 hours



## Custom signs

Individual widths, heights & motives available on request.

# Surface mounting

## Easy installation thanks to its sleek features

The sign can be inserted or removed from the preassembled body with an **integrated click mechanism 1**. This system makes it possible to install the base body at an early stage. The subsequent sign insertion prevents possible damage during the construction phase.



Fully assembled surface mounted ceiling sign



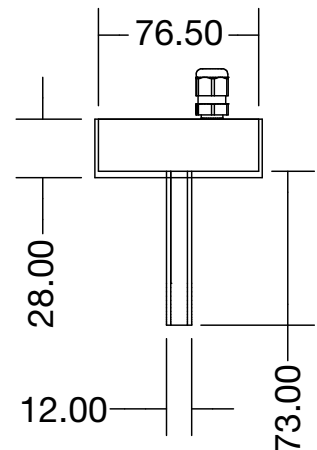
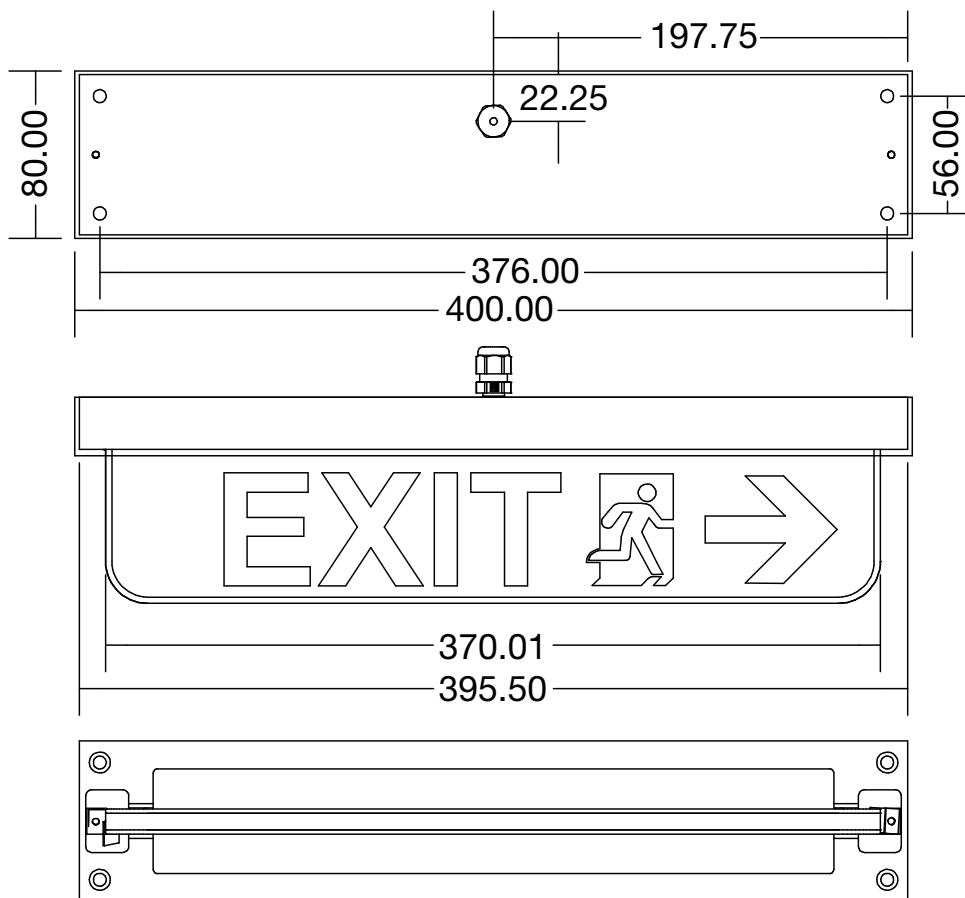
### Quick assembly

The base body (including the cover) **1** is quickly and easily mounted on the ceiling or wall with 4 fixing screws (not included in the delivery). **Sign can be easily clicked into mounted base.**

### Materials

The lid is available in the following material versions. Anodised aluminum with a brushed stainless steel look, aluminum powder coated according to RAL color scale as stainless steel in V4A brushed as well as V2A chromed. **Further pictograms are also available.**

# Technical specifications



Casing	
<b>Description</b>	High-quality escape sign
<b>Basic body</b>	PVC
<b>Cover finishes</b>	brushed anodised stainless steel look [ca. 1370 g] powdered acc. to RAL color scale [ca. 1370 g] Stainless steel brushed [ca. 1560 g] Stainless steel chromed [ca. 1560 g]
<b>Dimensions</b>	400 x 80 x 28 mm (Complete) Visible surface of illuminated sign: 370 x 73 mm
<b>Power connection</b>	230 V 50/60 Hz (Connectors acc. to customer requirements at extra charge)
<b>Protection classes</b>	Certification for IP 22 - IP 67

Illumination	
<b>Light source</b>	1300-100396 - 15 LED/Stripe
<b>Light output</b>	370 lm (measured at the LED strip)
<b>Light color</b>	6000 - 7000 K
<b>LED type</b>	LED Rigid board
<b>Energy efficiency class</b>	A
<b>Power consumption / LED</b>	max. 4 W
<b>Average lifespan</b>	30.000 hours



## Custom signs

Individual widths, heights & motives available on request.

Please visit our  
*Online-Shop!*



**[www.safety-sign-solutions.com](http://www.safety-sign-solutions.com)**

Our online-shop for safety and industrial signage as well as work safety, personal safety at work and factory equipment.

 **Marahrens**  
Global Sign Solutions

H. Marahrens Schilderwerk, Siebdruckerei, Stempel GmbH  
Auf den Sandbreiten 2 · 28719 Bremen, Germany  
Telefon +49 (0) 421 69444-0 · Telefax +49 (0) 421 69444-13  
E-Mail: [info@marahrens.com](mailto:info@marahrens.com)  
Internet: [www.marahrens.com](http://www.marahrens.com)

Technical changes reserved. All rights in relation to the technical implementation are subject to our copyright.

